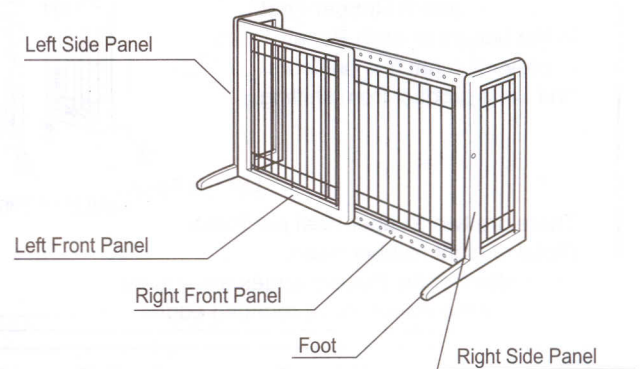


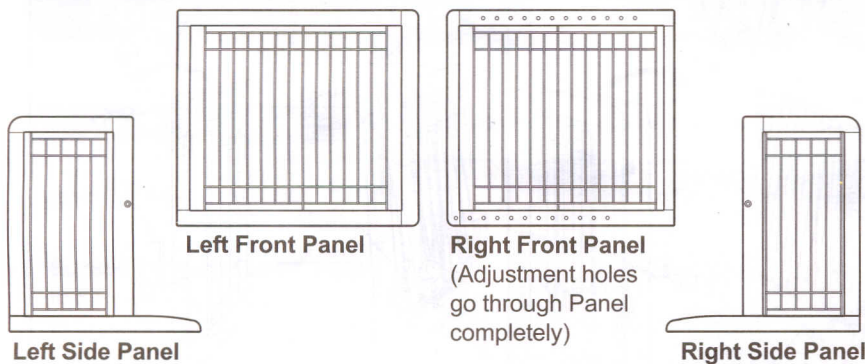
Thank you for choosing Richell's Freestanding Pet Gate.
Please read this instruction manual carefully before assembling or using this product,
and keep for future reference.

Features

This product is designed for small dogs 6.5 - 17.5 lbs (3 - 8kg).
Gate is free-standing, allowing for easy placement anywhere.
Width is adjustable to fit different sized openings.
Wooden frame co-ordinates well with home interior.
Rubber skids keep gate in place and prevent shifting.



Parts/Specifications



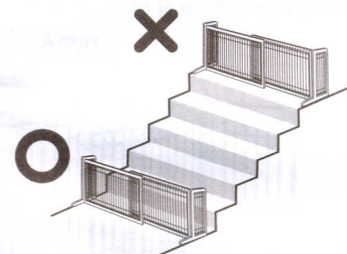
	Small	Large
Rubber foot	8	10
Bolt	4	6
Spring washer	4	6
Washer	4	6
L-shaped pin	2	2

Product name	Freestanding Pet Gate Small	Freestanding Pet Gate Large
Dimension	26.4 - 40.2"W x 17.7"D x 20.1H" 67 - 102W x 45D x 51H(cm)	39.8 - 71.3"W x 17.7"D x 20.1H" 101 - 181W x 45D x 51H(cm)
Materials	Wooden part: Rubber wood Metal part: Steel	

Product specifications are subject to change.

Cautions

- This product cannot completely prevent pets from passing through. Do not place gate in location where passage through could lead to danger.
- Be careful not to stumble. Do not carry a baby or infant when striding over gate.
- Do not place gate at the top of a staircase or near a glass door.
- Place the product on a flat, sturdy surface.
- Do not use this product for anything other than its intended purpose.
- Keep the product away from fire or extremely high temperatures.
- This product is designed for indoor use only. Do not use outside.
- Do not use a leash with your pet when using this product. Pet could become tangled.
- Do not lean or sit on the product.
- When opening side panel, be careful of pinching hands, fingers, or pet.
- Use mild detergent and water to clean. Do not use harsh chemicals such as benzine or thinner.
- Use soft cloth or sponge. Do not use scrub brush or abrasive scouring materials.
- After cleaning, do not dry product in direct sunlight. Place in shade to dry.



For Freestanding Pet Gate Small

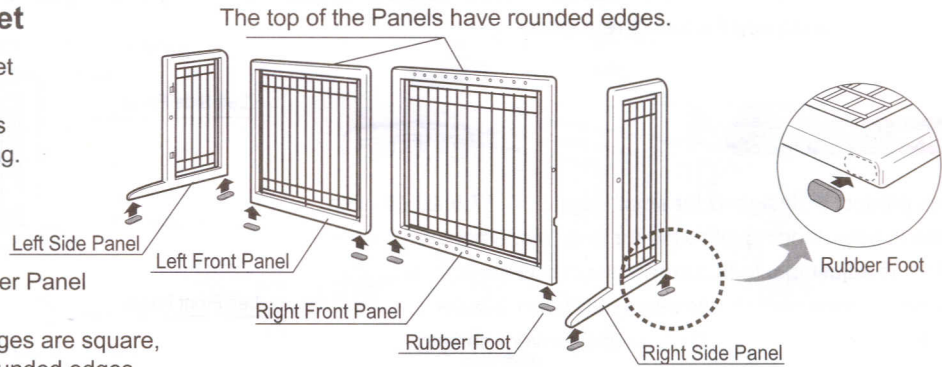
How to Assemble

You will need a flat-head or Phillips-head screwdriver.

1 Attach Rubber Feet

Be sure to attach Rubber Feet to the bottom of each Panel to prevent scratches on floors and keep product from shifting.

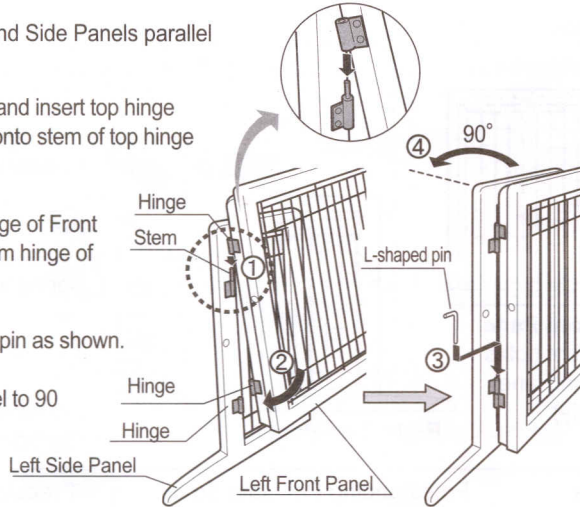
There are two Rubber Feet per Panel (Total of eight Rubber Feet). The bottom of the Panels' edges are square, the top of the Panels have rounded edges.



2 Attach Left Side Panel to Left Front Panel

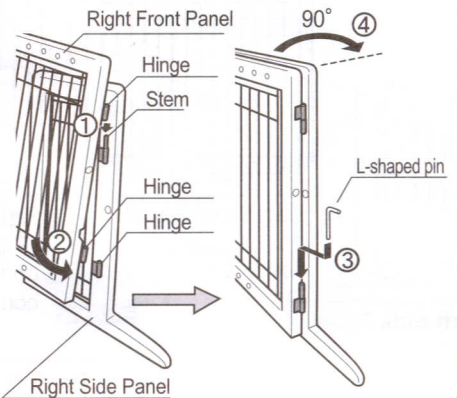
First, place Front and Side Panels parallel to each other.

- ① Tilt Front Panel and insert top hinge on Front Panel onto stem of top hinge on Side Panel.
- ② Align bottom hinge of Front Panel with bottom hinge of Side Panel.
- ③ Insert L-shaped pin as shown.
- ④ Open Side Panel to 90 degrees



3 Attach Right Side Panel to Right Front Panel

Repeat steps ① - ④ for Left Side Panel.

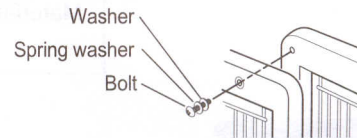


4 Attach Front Panels

Width of gate can be adjusted from 26.4 - 40.2" (67 - 102 cm), by intervals of 1.3" (3.2cm). Adjustment holes go through Panel completely, are spaced 1.3" (3.2cm) apart on Right Front Panel. Left Front Panel has three Fixing holes with nuts.

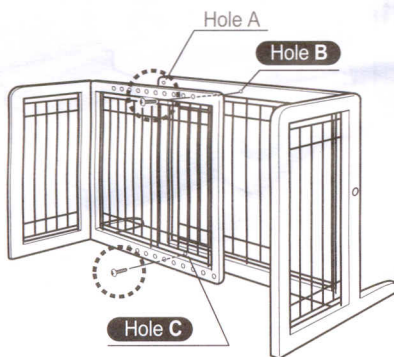
Note: Only two bolts are needed to attach Front Panels. Two bolts are also needed for Side Panels. According to width, bolt placement is different, as shown in diagram.

1. Align Panels to desired width.
2. Insert bolts into Adjustment and Fixing holes with washers and spring washers at top and bottom of Panels as shown.



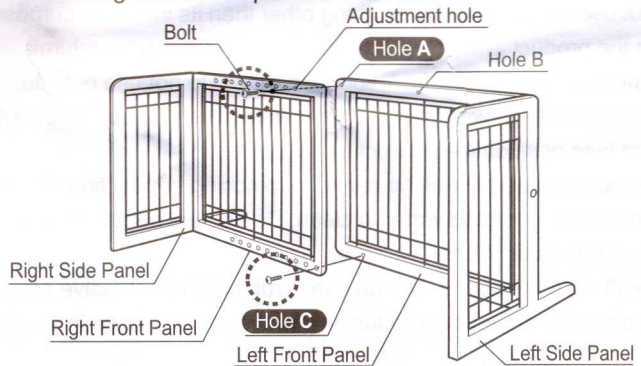
● For the opening less than 31.5" width

Use Fixing hole B at top and C at bottom.



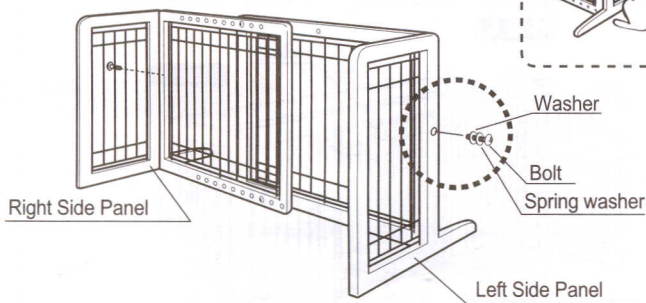
● For the opening more than 31.5" width

Use Fixing hole A at top and C at bottom.

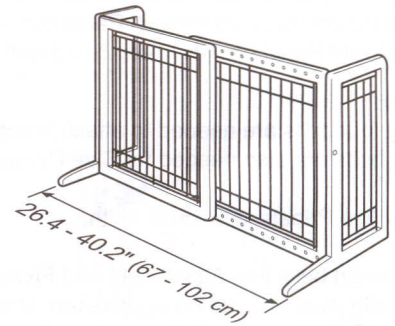


5 Secure Side Panels

Insert bolts into Side Panels to prevent closing if necessary. Secure Side Panels in case that pet pushes Side Panel as shown.



6 Complete



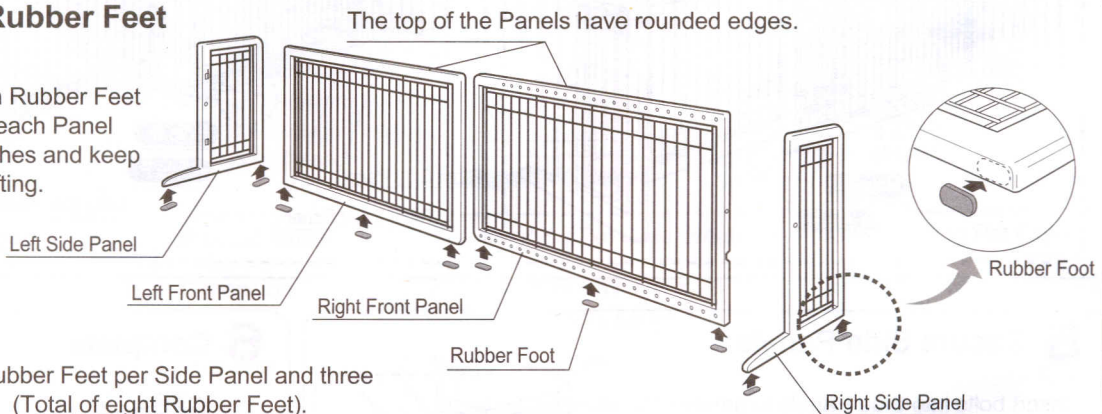
For Freestanding Pet Gate Large

How to Assemble

You will need a flat-head or Phillips-head screwdriver.

1 Attach Rubber Feet

Be sure to attach Rubber Feet to the bottom of each Panel to prevent scratches and keep product from shifting.

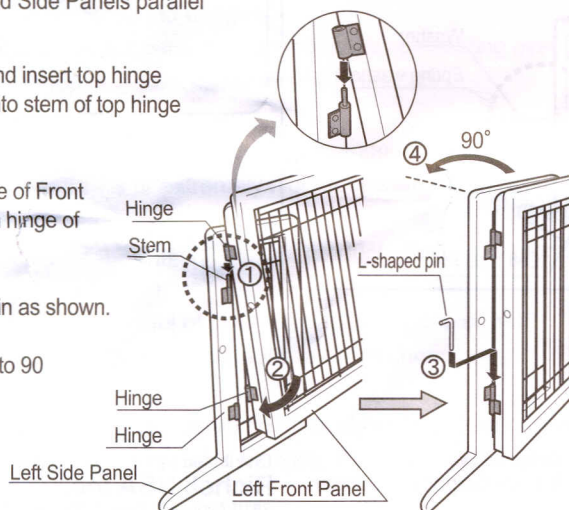


There are two Rubber Feet per Side Panel and three per Front Panel. (Total of eight Rubber Feet). The bottom of the Panels' edges are square, the top of the Panels have rounded edges.

2 Attach Left Side Panel to Left Front Panel

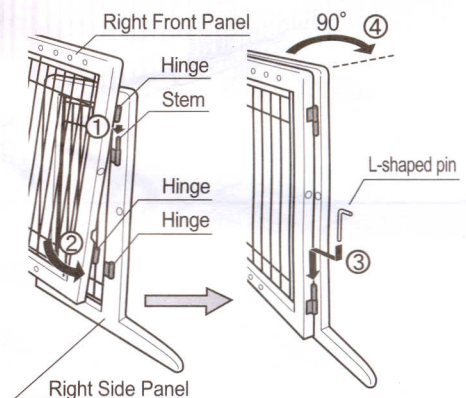
First, place Front and Side Panels parallel to each other.

- ① Tilt Front Panel and insert top hinge on Front Panel onto stem of top hinge on Side Panel.
- ② Align bottom hinge of Front Panel with bottom hinge of Side Panel.
- ③ Insert L-shaped pin as shown.
- ④ Open Side Panel to 90 degrees



3 Attach Right Side Panel to Right Front Panel

Repeat steps ①-④ for Left Side Panel.



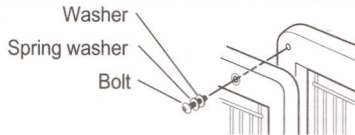
4 Attach Front Panels

Width of gate can be adjusted from 39.8 - 71.3" (101 - 181 cm), by intervals of 1.3" (3.2cm).
Adjustment holes go through Panel completely on Right Front Panel, are spaced 1.3" (3.2cm) apart.
Left Front Panel has six Fixing holes with nuts.

Note:

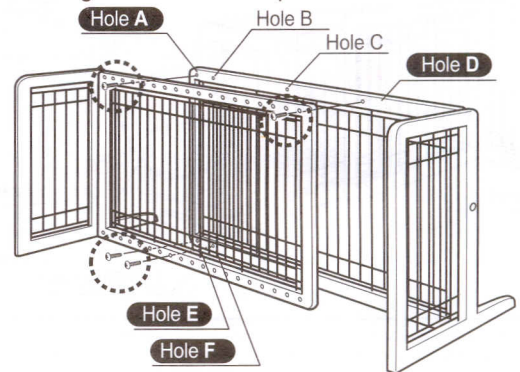
Only four bolts are needed to attach Front Panels.
Two bolts are also needed for Side Panels.

1. Align Panels to desired width.
2. Insert bolts into Adjustment and Fixing holes with washers and spring washers at top and bottom of Panels as shown.



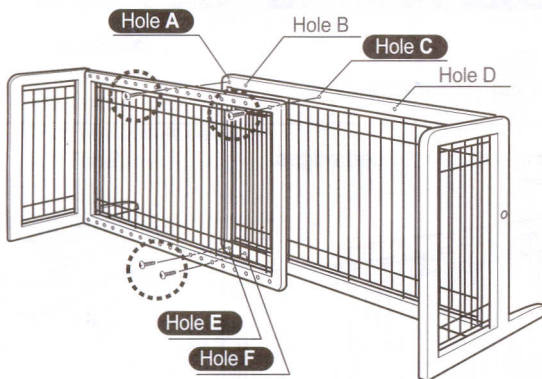
● For the opening less than 48.4" width

Use Fixing holes **A & D** at top and **E & F** at bottom.



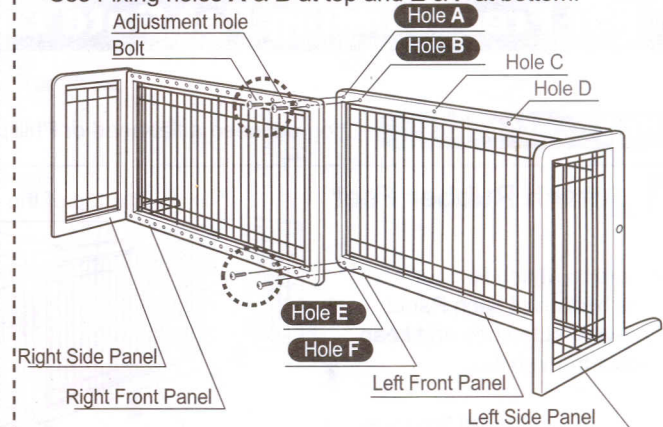
● For the opening 48.4 - 60.6" width

Use Fixing holes **A & C** at top and **E & F** at bottom.



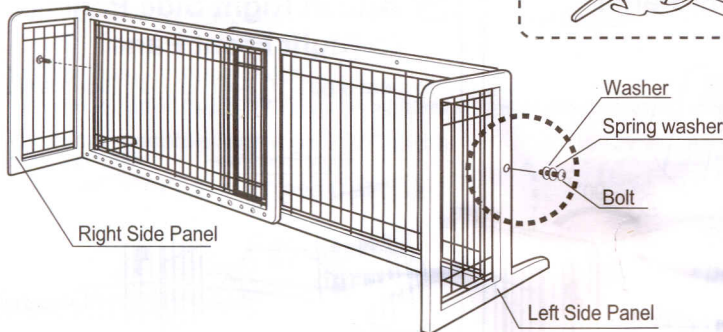
● For the opening more than 60.6" width

Use Fixing holes **A & B** at top and **E & F** at bottom.

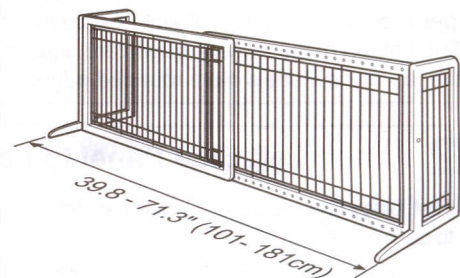


5 Secure Side Panels

Insert bolts into Side Panels to prevent Panel closing if necessary. Secure Side Panels in case that pet pushes Side Panel as shown.



6 Complete



Designed by :
Richell Corporation, Japan

Distributed by :
Richell USA Inc.
2810 Avenue E East, Arlington, TX 76011
Phone (972) 641-9795 Fax (972) 641-8495 www.richellusa.com